

»multifix« series

Proportional lubricators, oil can be filled under pressure.

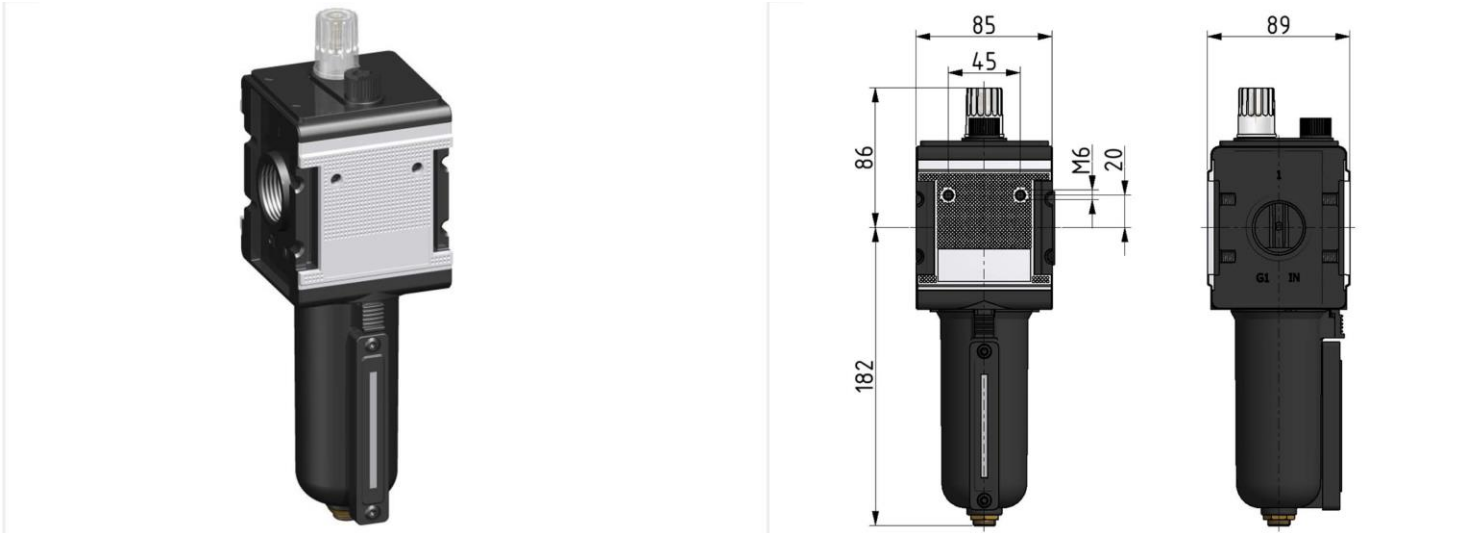
Max. medium temperature: 60 °C
 Max. ambient temperature: 60 °C
 Sealant: NBR
 Oil grade: CL 32 acc. to DIN 51517-ISO VG 32
 Flow rate measurement: At $P_1 = 6$ bar and pressure drop $\Delta p = 1$ bar

Oil-mist lubricator with metal bowl and sight glass, metal (zinc-glass-NBR) sight dome

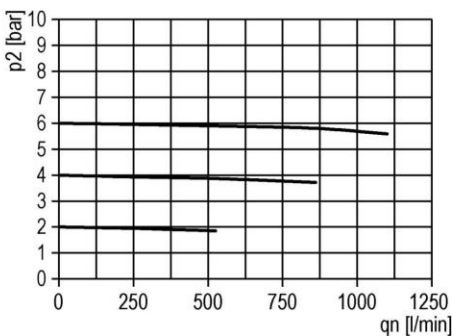
| Art. No. | Type No. | Thread | Max. input pressure bar | Housing | Flow rate l/min | Size | DN |
|----------|-----------|--------|-------------------------|--------------------|-----------------|------|----|
| 133121 | L 44 M-SR | G 3/4 | 20 | Die-cast aluminium | 14000 | 4 | 20 |

Accessories / spare parts

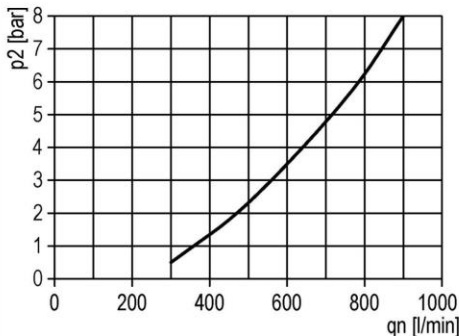
| Art. No. | Type No. | Description |
|----------|------------|--|
| 135858 | ZW 45 | Mounting bracket with 2 screws |
| 135857 | KP 45 | Coupler pack for modular assembly of several devices |
| 135863 | KSS 45 NS | Polycarbonate bowl, without drain valve |
| 135864 | MS 45 NS | Metal bowl, without drain valve |
| 100392 | 1233.7.990 | Sight dome (polyamide PA) |
| 100393 | 1233.7.909 | Sight dome, metal |



flow characteristic



lubricator operating limit



symbol

